

# OWNERS MANUAL

---

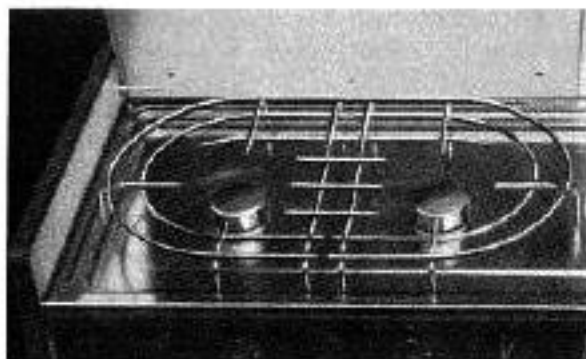


Fig. 1

**RANGE COUNTER UNIT  
FOR MOBILE HOME  
OR TRAVEL TRAILER  
TYPE 113.1**

**CAUTION:**  
READ RULES FOR SAFE  
OPERATION AND  
INSTRUCTIONS CAREFULLY

## **RULES FOR SAFE OPERATION**

1. Read the Owners Manual and these Rules for Safe Operation carefully.
2. Check that all applicable state and local codes regarding installation have been followed. The supplier of the propane gas is usually an expert in this regard.
3. Check that minimum clearances to combustible materials have been maintained.
4. When igniting the burners, have lighted match ready when the burners are turned on.
5. Never light matches in the vicinity if the odors of gas are noted.
6. A window or other air vent should be opened slightly while using the range counter unit. Gas burner flames consume oxygen which has to be replaced to assure proper combustion.
7. Do not tamper with the burner orifices or change their size.

## **GENERAL**

1. Your Range Counter Unit has been certified for safety by The Underwriter's Laboratory for use with liquefied petroleum gases only.
2. Burner inputs are shown on a plate attached to each appliance. Refer to this plate for ratings and minimum clearances. The orifices have been sized at the factory at a pressure of 11 inches water column for liquefied petroleum gases.

## **ASSEMBLY**

Your new range is fully assembled. The grate is applied, loosen and locked by two plugs. The burner tids can slightly be uncovered by turning fourth part counter – clock wise.

## INSTALLATION

1. Consider the following when selecting the location for your range counter unit:
  - A. Location of gas supply and routing of gas line.
  - B. Minimum clearances of unit from combustible materials. These clearances are:  
Sides - 6 inches as measured from center of closest burner head.  
Rear - 6 inches as measured from center of closest burner head.  
Top - 24 inches as measured from top of unit to bottom of any overhanging cabinet or shelf.
  - C. Location with respect to windows where hanging curtains could be blown over the range and possibly be ignited from the burners.
2. After selecting the best location, cut opening in counter top as shown in the cabinet cutout drawing.
3. Remove burner knobs, and the valve panel assembly. This will expose the gas manifold on both units.
4. Set range unit in place and secure with four No. wood screws (not furnished). Holes for accommodating the screws are provided in the top side of the top assembly.
  - A. The gas tank must be located in a protected place and cannot UNDER ANY CIRCUMSTANCES be located within the confines of the trailer or camper. The supplier of the gas will be acquainted with the applicable codes with respect to the location of the gas supply tank.
  - B. Gas supply line should be copper and should be routed in protected locations so as not to be damaged. A single, continuous line is recommended.
  - C. No connections should be made in the gas line where the connections would be concealed after completion of the installation. All parts used in making connections must be of type acceptable for this purpose. Gas line should not make any sharp bends nor have any kinks. The line should not be under strain.
6. After installing the gas supply and making all connections, check thoroughly for possible gas leaks. Turn the valves on the counter unit their „off“ positions. Open valve on gas supply tank. Using a soap and water solution, check each gas connection one-at-a-time by brushing the soap and water solution over the connection. Presence of bubbles will indicate a leak. Tighten fitting and recheck for leaks. If impossible to correct leak, replace fitting. UNDER NO CIRCUMSTANCES USE MATCHES OR FLAME FOR CHECKING LEAKS.
7. Replace the valve panel assembly. Push burner knobs on the valve stems.
8. Place burner grates in position.
9. Your range counter unit is now ready for use. When lighting, do not turn on the burners before a lighted match is available. Sometimes the burners will not ignite immediately and seem to „blow“ slightly when they do ignite. This is usually due to the presence of air in the gas lines which will clear itself within several seconds. This is a normal condition.

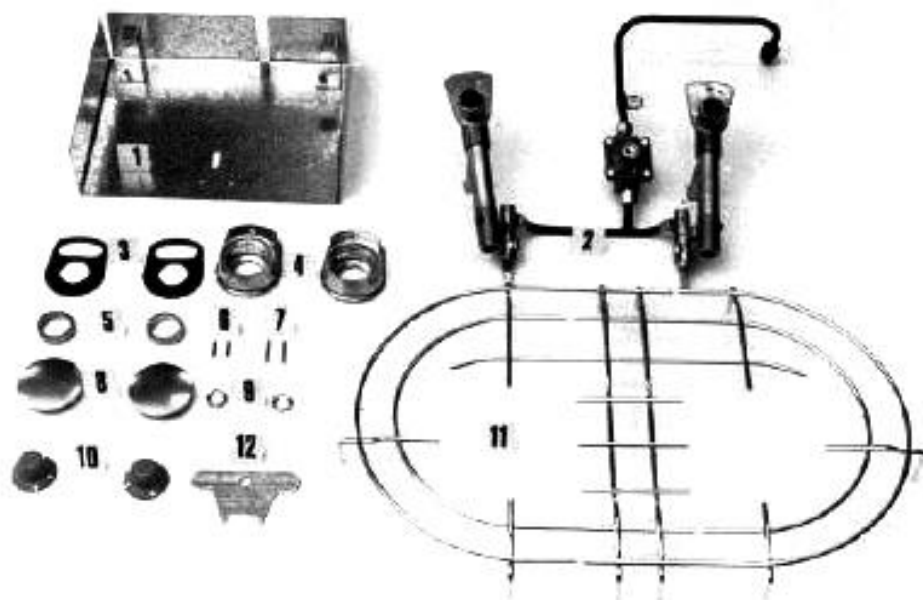


Fig. 2

#### REPAIR PARTS

Key-Nr.	Description
1	Burner Box
2	Manifold Assembly Complete (Valves, Mixer Tubes with Burner Elbows, Injector Tubes, Safety Clips, Manifold and Pressure Regulator)
3	Burner Gasket
4	Burner Pot
5	Burner Bush
6	Safety Spring
7	Counterbore head screw
8	Burner Lid
9	Hexagon Nut
10	Burner Knob
11	Grate
12	Key

#### HOW TO ORDER REPAIR PARTS

The Type Number will be found stamped on the rating plate located outside the burner box. Always mention the Type Number when requesting service or repair parts for your Range Counter Unit.

All parts listed herein may be ordered through:

**Delta Six Industries**  
**North Hollywood, CA 91601**

or any of its authorized service centers. When ordering parts by mail, selling prices will be furnished on request or parts will be shipped at prevailing prices and you will be billed accordingly.

WHEN ORDERING REPAIR PARTS, ALWAYS GIVE THE FOLLOWING INFORMATION AS SHOWN IN THIS LIST.

- 1 The Part Number
- 2 The Part Description
- 3 The Part Number
- 4 The Name of ITEM . . . Range Counter Unit

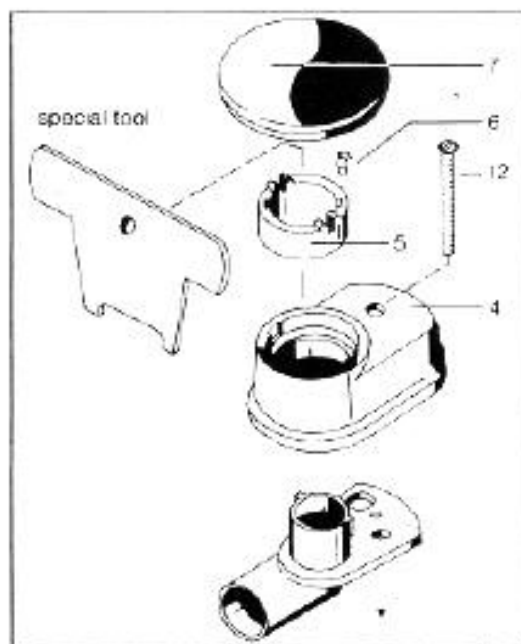


Fig. 3

#### ASSEMBLY OF BURNER

Fig. 3 shows the assembly of burner together with the special tool. This assembly instruction shall help the service-fitter and explain the handling of the special tool.

#### MAINTENANCE

This cooker is nearly free of maintenance only a cleaning of burner caps item No. 8 should be made after certain periods.

For cleaning the burner cap has to be taken off by turning the cap to the left up to catching off of locking spring from the nut. Then the burner cap can be cleaned in warm water by means of a soft brush. When replacing the burner cap please observe that the locking spring is catching exactly into the nut of the burner pot.

6 028

Gebr. Seppelfricke GmbH + Co

☎ (02 09) 40 40

4650 Gelsenkirchen

W.-Germany

Postbox 100 153

Telex 8 24 771