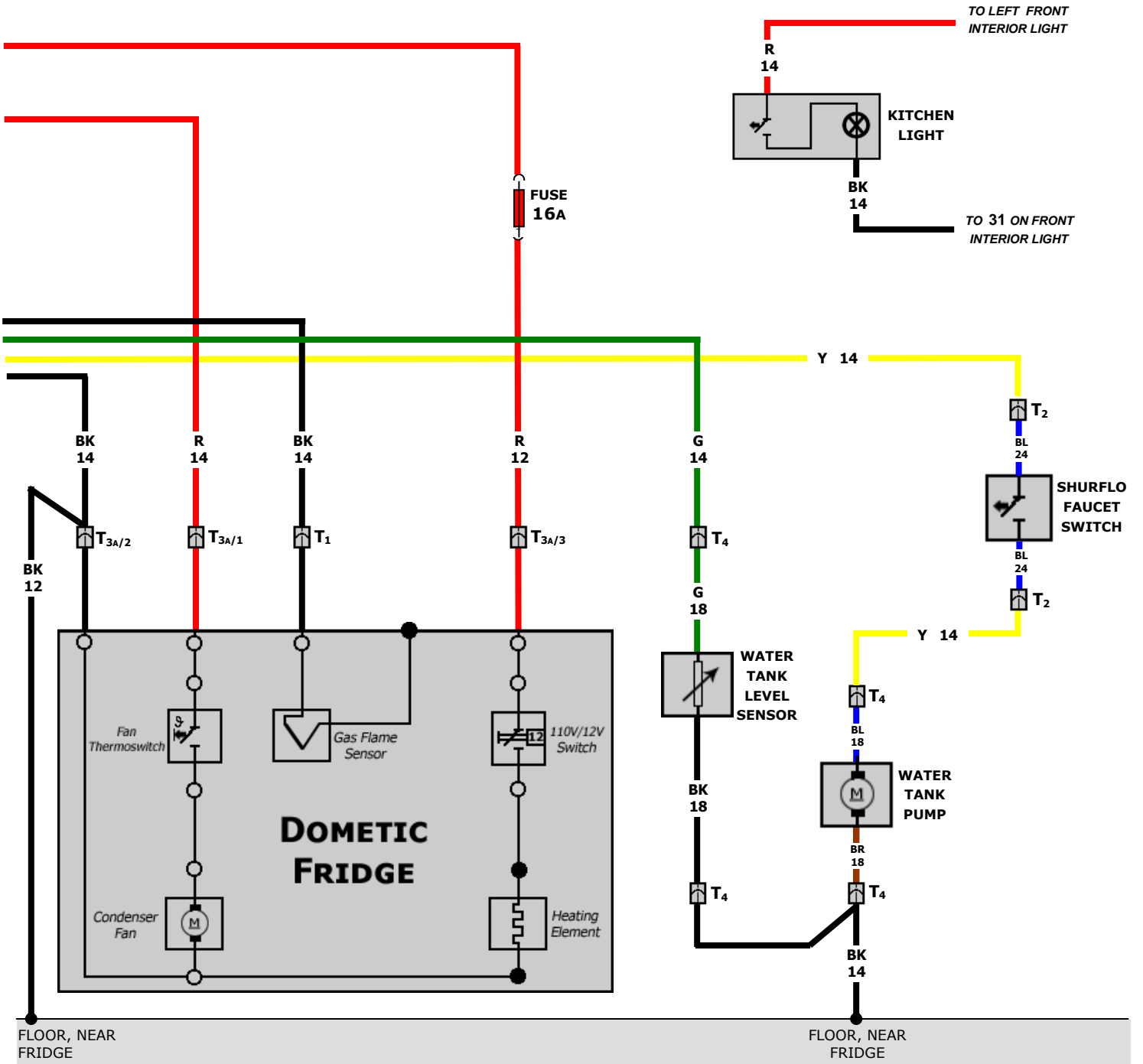
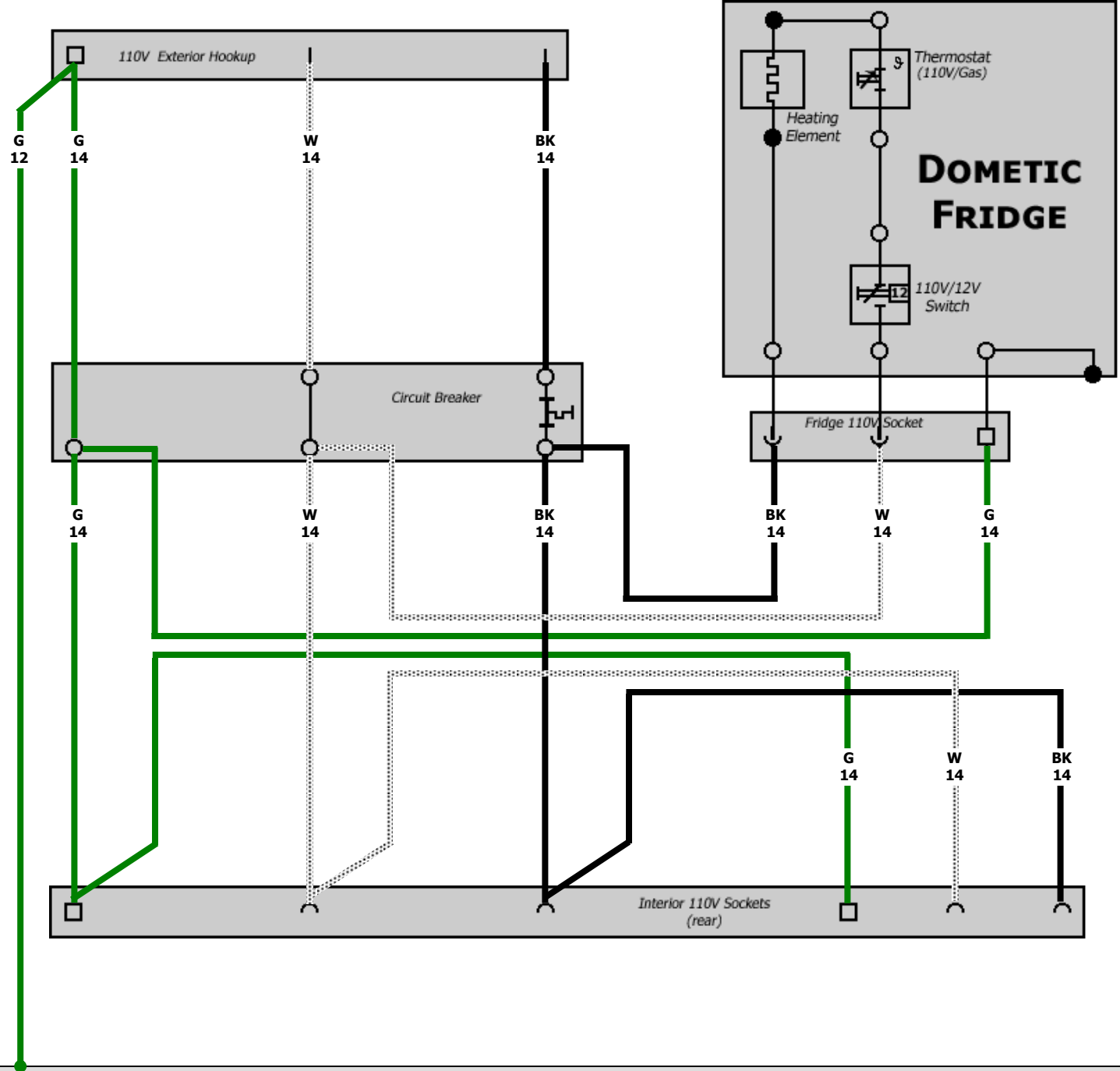


30	-----	30
15	-----	15
X	-----	X
31	-----	31
61	-----	61





FLOOR, NEAR FRIDGE